



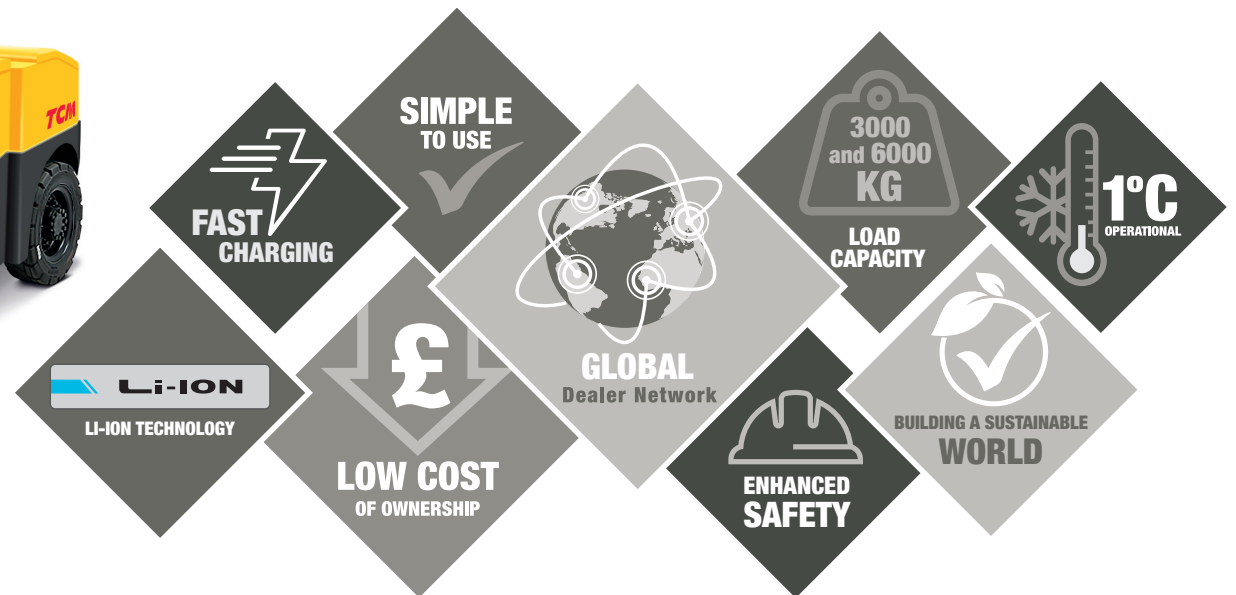
TTS30-60-Q1

TCM Lite Range, streamlined for greater efficiencies and a more sustainable world, without compromising design and engineering excellence.

**Easy to use, simple to maintain.
NO FUSS, NO WASTE.**

TCM TTS30-60-Q1 with robust, heavy-duty hood, quick release tow pins and a low maintenance AC drive motor with IP65 AC controller, is built for high performance and durability with minimal service interruption.

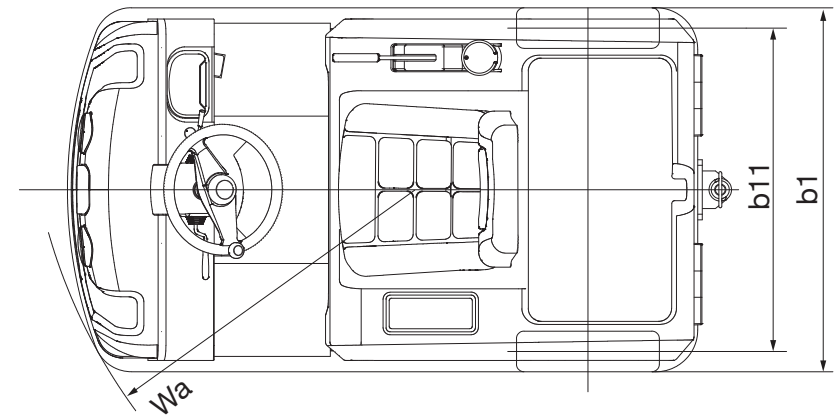
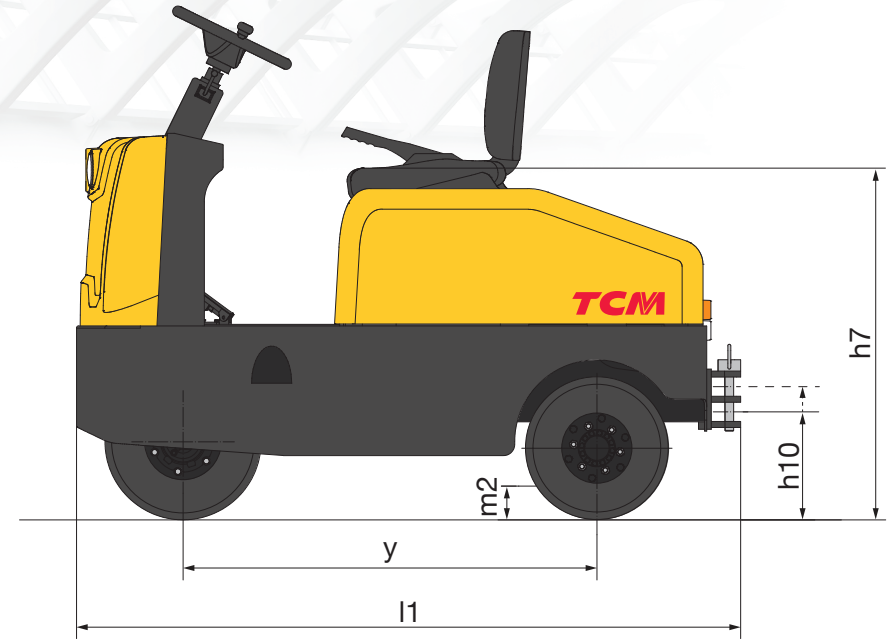
The high capacity, high power **Li-ION battery** is long-lasting reducing downtime, with swift **'plug and go' charging**. The battery heating system allows operation in colder environments. Front, rear and turn LED lights increase operator visibility and illuminate the truck to other workers. Adjustable steering wheel, seat belt and operator-presence seat sensor ensures the operator is **safely in control** before the truck can be operated.



STANDARD SPECIFICATIONS PRELIMINARY

CHARACTERISTICS				
1.1	Manufacturer			TCM
1.2	Manufacturer's model designation			TTS30-Q1
1.3	Power source			Battery
1.4	Operator type			Seated
1.5	Load capacity	Q	kg	3000
1.7	Rated drawbar pull	F	(N)	750 / 75
1.9	Wheelbase	y	(mm)	1055
WEIGHT				
2.1b	Truck weight without load, with maximum battery weight		kg	780
2.2	Axle loadings with nominal load & maximum battery weight, drive / load side		kg	310
2.3	Axle loadings without load & with maximum battery weight, drive / load side		kg	470
WHEELS, DRIVE TRAIN				
3.1	Tyres: PT = Power Thane, Vul = Vulkollan, P = Polyurethane, N = Nylon, R = Rubber drive / load side			Solid - rubber
3.2	Tyre dimensions, drive side		(mm)	15 x 4.5 - 8
3.3	Tyre dimensions, load side		(mm)	15 x 4.5 - 8
3.5	Number of wheels, load / drive side (x = driven)			1 / 2x
3.7	Track width (center of tyres), load side	b11	(mm)	860
DIMENSIONS				
4.8	Seat - or stand height	h7	(mm)	910
4.12	Tow coupling height	h10	(mm)	280 / 350
4.19	Overall length	l1	(mm)	1720
4.21	Overall width	b1	(mm)	968
4.32	Ground clearance at center of wheelbase, (forks lowered)	m2	(mm)	90
4.35	Turning radius	Wa	(mm)	1490
PERFORMANCE				
5.1	Travel speed, with / without load		km / h	6.5 / 10
5.7	Gradeability, with / without load		%	8 / 10
5.10	Service brakes (mechanical / hydraulic / electric / pneumatic)			Mechanical / hydraulic
ELECTRIC MOTORS				
6.1	Drive motor capacity (60 min. short duty)		kW	3
6.4	Battery voltage/capacity at 5-hour discharge		V / Ah	36 / 250
6.5	Battery weight		kg	115
MISCELLANEOUS				
8.1	Type of drive control			Stepless
10.7	Level of noise at the ear level of the driver according to EN 12 053:2001 and EN ISO 4871, in work LpAZ		dB (A)	68
10.7.2	Whole-body vibration (EN 13 059:2002)			Refer to instruction manual
10.7.3	Hand-arm vibration (EN 13 059:2002)			Refer to instruction manual

DIMENSIONS TTS30-Q1



tcm.eu

Mitsubishi Logisnext Europe BV reserves the right to make any changes without notice concerning colours, equipment or specifications detailed in this brochure, or to discontinue individual models. The colours of vehicles delivered may differ slightly from those in this brochure. The specifications vary for different countries depending on local market conditions. Please consult your local dealer to ensure that the vehicle delivered accords with your expectations. All values are determined based on the standard condition and may vary, due to motor and system tolerances, condition of the truck and operational conditions. Some equipment shown on photos are optional. WEST2429-0124

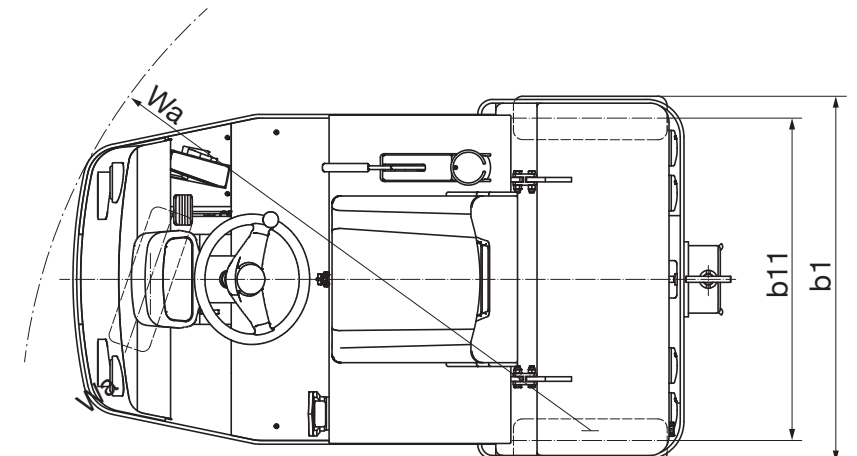
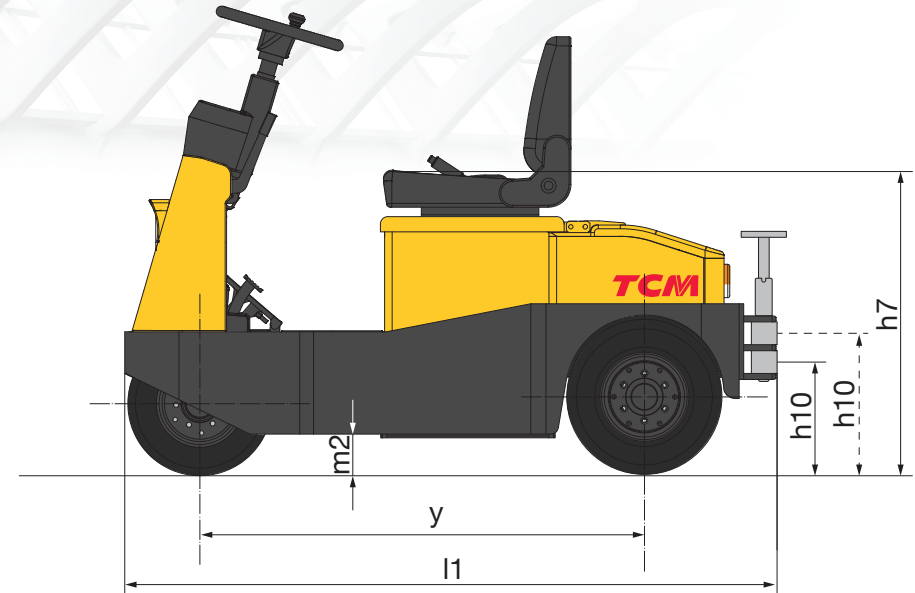
OPTIONS

Partially enclosed cabin - for shelter from light rain
Electric power steering - for reduced operator fatigue and greater control
Electromagnetic braking system - for smooth, steady deceleration
PIN CODE password protection - for additional security
Seat with paper bag - for waste
Seat side with A4 paper lip - to fix paper when moving
Blue floor light - provides extra safety for pedestrians and other passing trucks
Amber strobe light - for extra pedestrian and passing truck safety
Rear mirrors - additional view in reverse drive direction
Audible reverse alarm - for extra pedestrian and passing truck safety
Seat belt usage alarm - to prompt correct use
Semi closed sunshade cabin - for outside use
Non-marking tyres - to protect indoor floors

STANDARD SPECIFICATIONS PRELIMINARY

CHARACTERISTICS				
1.1	Manufacturer			TCM
1.2	Manufacturer's model designation			TTS60-Q1
1.3	Power source			Battery
1.4	Operator type			Seated
1.5	Load capacity	Q	kg	6000
1.7	Rated drawbar pull	F	(N)	1500 / 150
1.9	Wheelbase	y	(mm)	1280
WEIGHT				
2.1b	Truck weight without load, with maximum battery weight		kg	1280
2.2	Axle loadings with nominal load & maximum battery weight, drive / load side		kg	830
2.3	Axle loadings without load & with maximum battery weight, drive / load side		kg	450
WHEELS, DRIVE TRAIN				
3.1	Tyres: PT = Power Thane, Vul = Vulkollan, P = Polyurethane, N = Nylon, R = Rubber drive / load side			Solid - rubber
3.2	Tyre dimensions, drive side		(mm)	15 x 4.5 - 8
3.3	Tyre dimensions, load side		(mm)	4.00 - 8
3.5	Number of wheels, load / drive side (x = driven)			1 / 2x
3.7	Track width (center of tyres), load side	b11	(mm)	946
DIMENSIONS				
4.8	Seat - or stand height	h7	(mm)	910
4.12	Tow coupling height	h10	(mm)	280 / 350
4.19	Overall length	l1	(mm)	1940
4.21	Overall width	b1	(mm)	1100
4.32	Ground clearance at center of wheelbase, (forks lowered)	m2	(mm)	100
4.35	Turning radius	Wa	(mm)	1650
PERFORMANCE				
5.1	Travel speed, with / without load		km / h	7 / 14
5.7	Gradeability, with / without load		%	6 / 15
5.10	Service brakes (mechanical / hydraulic / electric / pneumatic)			Mechanical / hydraulic
ELECTRIC MOTORS				
6.1	Drive motor capacity (60 min. short duty)		kW	5
6.4	Battery voltage/capacity at 5-hour discharge		V / Ah	48 / 350
6.5	Battery weight		kg	220
MISCELLANEOUS				
8.1	Type of drive control			Stepless
10.7	Level of noise at the ear level of the driver according to EN 12 053:2001 and EN ISO 4871, in work LpAZ		dB (A)	68
10.7.2	Whole-body vibration (EN 13 059:2002)			
10.7.3	Hand-arm vibration (EN 13 059:2002)			

DIMENSIONS TTS60-Q1



tcm.eu

Mitsubishi Logisnext Europe BV reserves the right to make any changes without notice concerning colours, equipment or specifications detailed in this brochure, or to discontinue individual models. The colours of vehicles delivered may differ slightly from those in this brochure. The specifications vary for different countries depending on local market conditions. Please consult your local dealer to ensure that the vehicle delivered accords with your expectations. All values are determined based on the standard condition and may vary, due to motor and system tolerances, condition of the truck and operational conditions. Some equipment shown on photos are optional. WEST2429-0124

OPTIONS

Partially enclosed cabin - for shelter from light rain
Electric power steering - for reduced operator fatigue and greater control
Electromagnetic braking system - for smooth, steady deceleration
PIN CODE password protection - for additional security
Seat with paper bag - for waste
Seat side with A4 paper lip - to fix paper when moving
Blue floor light - provides extra safety for pedestrians and other passing trucks
Amber strobe light - for extra pedestrian and passing truck safety
Rear mirrors - additional view in reverse drive direction
Audible reverse alarm - for extra pedestrian and passing truck safety
Seat belt usage alarm - to prompt correct use
Semi closed sunshade cabin - for outside use
Non-marking tyres - to protect indoor floors