



# 3 and 4 Wheel Electric Counterbalance

ECBT16Q  
ECBT20Q

ECB16Q  
ECB20Q  
ECB25Q  
ECB30Q  
ECB35Q  
ECB35QL

## THE PERFECT BLEND FOR AN EFFICIENT OPERATION

Experience the ideal combination of traditional internal combustion design and Lithium-Ion powered electric forklifts. The ECBT and ECB series offer the robustness of internal combustion truck chassis with a spacious operator area for comfortable manoeuvring. Equipped with a standard Lithium-Ion Phosphate (LFP) battery, these forklifts ensure efficient rapid charging to keep your operations running smoothly.



THE L'M LITHIUM  
ELECTRIC SERIES  
PROVIDES A DEPENDABLE  
AND COST-EFFECTIVE  
SOLUTION TO  
STREAMLINE YOUR  
INDOOR AND OUTDOOR  
OPERATIONS, PERFECTLY  
SUITED FOR LOW AND  
MEDIUM-INTENSITY  
MATERIAL HANDLING  
TASKS.

## WHY CHOOSE OUR FORKLIFT?

- **Perfect for Low and Medium Duty Tasks:** Ideal for a wide range of lifting and moving tasks in low to medium duty environments.
- **Fit for Purpose:** Designed to meet the specific needs of your operations, providing reliable performance for essential tasks and ensuring smooth daily operations.
- **Affordable:** Get the best value for your investment.
- **Reliable:** Consistent and dependable operation for all your lifting needs.





## KEY FEATURES:

- **Maintenance-Free:** Enjoy the benefits of a maintenance-free battery.
- **User-Friendly Operation:** Easy-to-use controls for a hassle-free experience.
- **Versatile Use:** Suitable for both indoor and outdoor environments, providing flexibility in your operations.
- **Safety First:** Equipped with safety features to protect your operators and equipment.





# ECBT16-20Q Series 3 Wheel Models

## STANDARD CONFIGURATION

### ECBT16-20Q

- Battery 51.2V / 206Ah
- 48V / 100A charger
- 2 stage 3300 mm mast
- 4th valve incl. hosing to carriage
- Front and rear super elastic tires
- PVC roof on standard overhead guard
- Road Light Kit
- Reverse Warning Buzzer
- Standard Hook on Sideshifter
- Rear view mirror
- Suspended KL01 seat
- Bluespot rear
- Strobe light

## OPTIONS

- Battery 51.2V / 277Ah
- 48V / 150A charger
- 48V / 50A charger
- Cold Store Modification -18° C
- 2 stage 4000 mm mast
- 3 stage 4300 mm mast
- 3 stage 4500 mm mast
- 3 stage 5500 mm mast
- Complete cabin
- Fingertip incl. forward, reverse
- Luxury Seat Grammer MSG65
- Forkpositioner incl. sideshift
- Non marking SE tires
- Front window with wiper

## STOCK SPEC

- 3 stage 4800 mm mast





# ECB16-35Q(L) Series

## 4 Wheel Models

### STANDARD CONFIGURATION

ECB16-20Q	ECB25-30Q	ECB35Q(L)
<ul style="list-style-type: none"> <li>Battery 76.8V / 125Ah</li> <li>80V / 65A charger</li> <li>2 stage 3300 mm mast</li> <li>4th valve incl. hosing to carriage</li> <li>Bluespot rear</li> <li>Front and rear super elastic tires</li> </ul>	<ul style="list-style-type: none"> <li>Battery 76.8V / 206Ah</li> <li>80V / 65A charger</li> <li>2 stage 3300 mm mast</li> <li>4th valve incl. hosing to carriage</li> <li>Bluespot rear</li> <li>Front and rear super elastic tires</li> <li>Battery Heating for Charging</li> </ul>	<ul style="list-style-type: none"> <li>Battery 76.8V / 277Ah</li> <li>80V / 100A charger</li> <li>2 stage 3300 mm mast</li> <li>4th valve incl. hosing to carriage</li> <li>Bluespot rear</li> <li>Front and rear super elastic tires</li> <li>Battery Heating for Charging</li> </ul>
<ul style="list-style-type: none"> <li>Glass roof on standard overhead guard</li> <li>Rear view mirror</li> <li>Road Light Kit</li> <li>Reverse Warning Buzzer</li> <li>Hook on Sideshifter</li> <li>Suspended KL01 seat</li> <li>Strobe light</li> </ul>	<ul style="list-style-type: none"> <li>Glass roof on standard overhead guard</li> <li>Rear view mirror</li> <li>Road Light Kit</li> <li>Reverse Warning Buzzer</li> <li>Hook on Sideshifter</li> <li>Suspended KL01 seat</li> <li>Strobe light</li> </ul>	<ul style="list-style-type: none"> <li>Glass roof on standard overhead guard</li> <li>Rear view mirror</li> <li>Road Light Kit</li> <li>Reverse Warning Buzzer</li> <li>Hook on Sideshifter</li> <li>Suspended KL01 seat</li> <li>Strobe light</li> </ul>

### OPTIONS

<ul style="list-style-type: none"> <li>Battery 76.8V / 206Ah</li> <li>80V / 100A charger</li> <li>Integrated charger 80V / 35A single phase plug type</li> <li>Integrated charger 80V / 35A single phase gun-type like EV</li> <li>Integrated charger 80V / 100A three phase gun-type like EV</li> <li>2 stage 4000 mm mast</li> <li>3 stage 4300 mm mast</li> <li>3 stage 4500 mm mast</li> <li>3 stage 5500 mm mast</li> <li>Complete cabin</li> <li>Grammer Fingertip incl. forward, reverse + Grammer MSG65 Seat</li> <li>Luxury Seat Grammer MSG65</li> <li>Forkpositioner incl. sideshift</li> <li>Cabin without doors</li> <li>Front window with wiper</li> <li>Cold Store Modification -18°C</li> <li>Non marking SE tires</li> </ul>	<ul style="list-style-type: none"> <li>Battery 76.8V / 277Ah</li> <li>80V / 100A charger</li> <li>Integrated charger 80V / 35A single phase plug type</li> <li>Integrated charger 80V / 35A single phase gun-type like EV</li> <li>Integrated charger 80V / 100A three phase gun-type like EV</li> <li>2 stage 4000 mm mast</li> <li>3 stage 4300 / 4500 mm mast</li> <li>3 stage 5500 mm mast</li> <li>Complete cabin</li> <li>Grammer Fingertip incl. forward, reverse + Grammer MSG65 Seat</li> <li>Luxury Seat Grammer MSG65</li> <li>Forkpositioner incl. sideshift</li> <li>Cabin without doors</li> <li>Front window with wiper</li> <li>Cold Store Modification -18°C</li> <li>Non marking SE tires</li> <li>Higher travel speed and lift speed</li> </ul>	<ul style="list-style-type: none"> <li>Battery 76.8V / 412Ah</li> <li>80V / 150A charger</li> <li>Integrated charger 80V / 35A single phase plug type</li> <li>Integrated charger 80V / 35A single phase gun-type like EV</li> <li>Integrated charger 80V / 100A three phase gun-type like EV</li> <li>2 stage 4000 mm mast</li> <li>3 stage 4300 / 4500 mm mast</li> <li>3 stage 5500 mm mast</li> <li>Complete cabin</li> <li>Grammer Fingertip incl. forward, reverse + Grammer MSG65 Seat</li> <li>Luxury Seat Grammer MSG65</li> <li>Forkpositioner incl. sideshift</li> <li>Cabin without doors</li> <li>Front window with wiper</li> <li>Cold Store Modification -18°C</li> <li>Non marking SE tires</li> <li>Higher travel speed and lift speed</li> </ul>
---	--	--

### STOCK SPEC

<ul style="list-style-type: none"> <li>3 stage 4800 mm mast</li> </ul>	<b>ECB25Q</b> <ul style="list-style-type: none"> <li>3 stage 4800 mm mast</li> </ul>	<b>ECB35Q</b> <ul style="list-style-type: none"> <li>3 stage 4500 mm mast</li> </ul>
	<b>ECB30Q</b> <ul style="list-style-type: none"> <li>3 stage 4500 mm mast</li> </ul>	<b>ECB35QL</b> <ul style="list-style-type: none"> <li>3 stage 4300 mm mast</li> </ul>

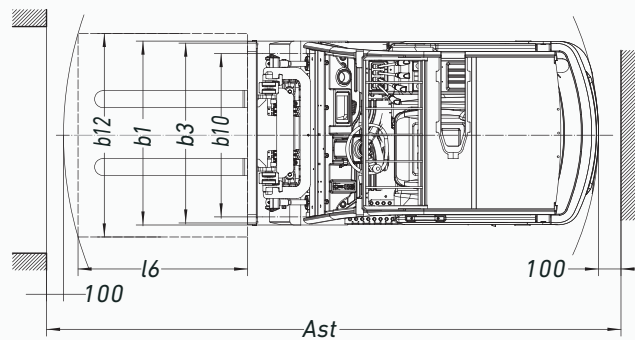
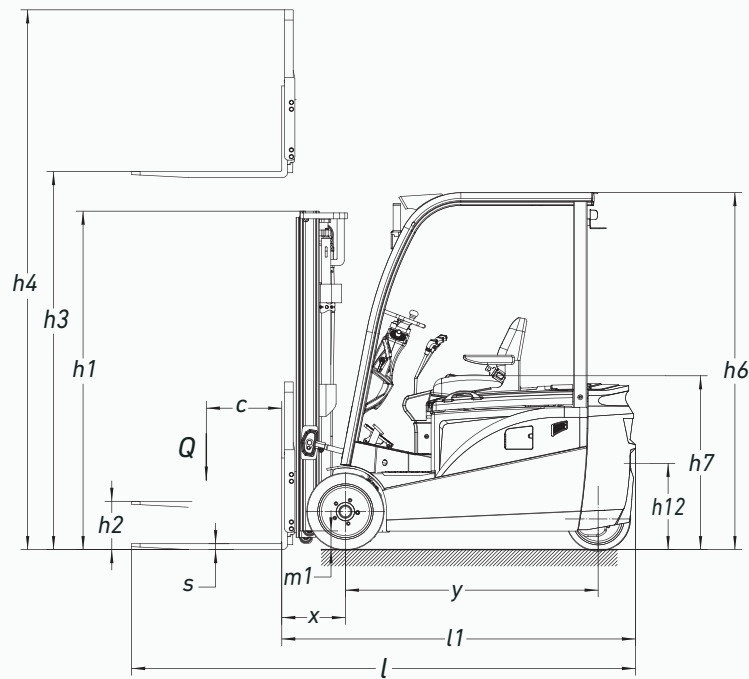


# ECBT16-20Q Series 3 Wheel Models

## MAST TABLE

## CAPACITY TABLE (KG)

ECBT16-20Q	Designation	Lift height	Free Lift height	Closed mast height	Extended mast height	Tilt forward/backward	With sideshift Super Elastic			
		h3	h2	h1	h4	$\alpha / \beta (^{\circ})$	C=500 mm		C=600 mm	
	mm	mm	mm	mm		ECBT16Q	ECBT20Q	ECBT16Q	ECBT20Q	
	Simplex	3300	125	2145	4255	5/7	1450	1850	1280	1640
4000	125	2545	4955	3/5	1350	1850	1190	1640		
Triplex	4350	1110	2065	5305	3/5	1300	1700	1150	1510	
	4500	1160	2115	5455	3/5	1250	1650	1100	1460	
	4799	1200	2155	5755	3/5	1150	1450	1010	1280	
	5000	1360	2315	5955	3/5	1050	1350	920	1190	
	5500	1510	2465	6455	3/5	950	1150	830	1010	
6000	1710	2665	6955	3/5	650	850	560	740		



# ECBT16-20Q Series

## 3 Wheel Models



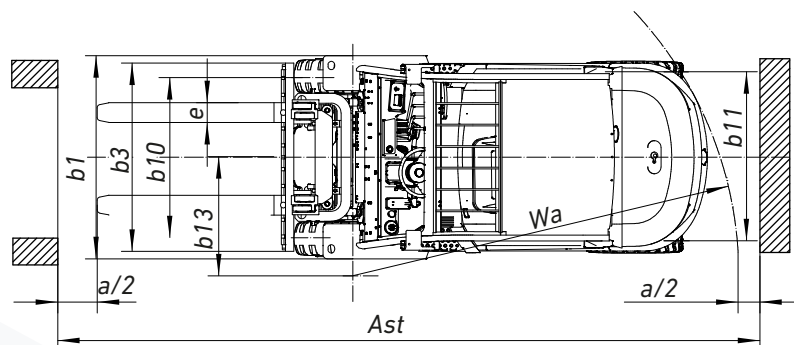
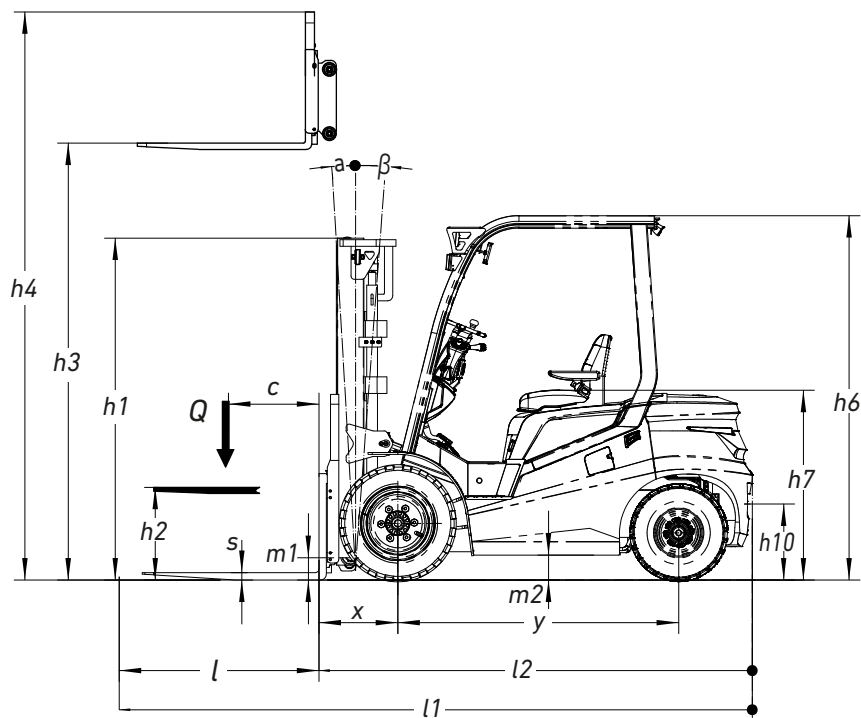
			L'M	L'M
			<b>ECBT16Q</b>	<b>ECBT20Q</b>
<b>Identification</b>	1.1	Manufacture (abbreviation)		
	1.2	Manufacturer's type designation		
	1.3	Drive: electric (battery or mains), diesel, petrol gas, manual)		
	1.4	Type of operation (hand, pedestrian, standing, seated, order-picker)		
	1.5	Load capacity / rated load	Q kg	1600 / 2000
	1.6	Load centre distance	c mm	500 / 500
	1.8	Load distance, centre of drive axle to fork	x mm	372 / 377
	1.9	Wheelbase	y mm	1360 / 1490
	<b>Weights</b>	2.1	Service weight incl. battery (see line 6.5)	kg
2.2		Axle loading, laden front / rear	kg	4180 / 520 / 4910 / 610
2.3		Axle loading, unladen front / rear	kg	1490 / 1610 / 1700 / 1820
<b>Wheels, Chassis</b>	3.1	Type: solid rubber, super elastic, pneumatic, polyurethane		Super Elastic / Super Elastic
	3.2	Tyres size, front		18 x 7-8 / 200 / 50-10
	3.3	Tyres size, rear		15 x 4.5 / -8 / 15 x 4.5 / -8
	3.5	Wheels, number front / rear (x=driven wheels)		2x / 2 / 2x / 2
	3.6	Track width, front	b10 mm	902 / 902
	3.7	Track width, rear	b11 mm	187 / 187
	<b>Basic Dimensions</b>	4.1	Mast / fork carriage tilt forward / backward	a/β mm
4.2		Lowered mast height	h1 mm	1995 / 1995
4.3		Free lift	h2 mm	125 / 125
4.4		Lift height	h3 mm	3000 / 3000
4.5		Extended mast height	h4 mm	3955 / 3955
4.7		Overhead load guardheight	h6 mm	2100 / 2100
4.8		Seat height / standing height	h7 mm	1005 / 1005
4.12		Coupling height	h10 mm	465 / 465
4.19		Overall length	l1 mm	2870 / 3155
4.20		Length to face of forks	l2 mm	1950 / 2085
4.21		Overall width	b1 / b2 mm	1084 / 1084
4.22		Fork dimensions	s / e / l mm	35 / 100 / 920 / 40 / 100 / 1070
4.24		Fork carriage width	b3 mm	1040 / 1040
4.31		Ground clearance, laden, under mast	m1 mm	105 / 105
4.32		Ground clearance, centre of wheelbase	m2 mm	105 / 105
4.33		Aisle width for pallets 1000x1200 crossways	Ast mm	3268 / 3403
4.34		Aisle width for pallets 800x1200 lengthways	Ast mm	3393 / 3527
4.35	Turning radius	Wa mm	1570 / 1700	
<b>Performance Data</b>	5.1	Travel speed, laden / unladen	km/h	14 / 15 / 13 / 15
	5.2	Lift speed, laden / unladen	m/s	0.32 / 0.42 / 0.30 / 0.42
	5.3	Lowering speed, laden / unladen	m/s	<600 / <600
	5.5	Max. Drawbar pull, laden / unladen	N	8500 / 7800 / 8800 / 8000
	5.7	Max. Gradient performance, laden / unladen	%	15 / 20 / 13 / 18
	5.10	Service brake		Hydraulic / Hydraulic
<b>E-Motor</b>	6.1	Drive motor rating S <sub>2</sub> 60 min	kW	4.5*2 / 4.5*2
	6.2	Lift motor rating at S <sub>3</sub> 15%	kW	8,6 / 8,6
	6.3	Battery standard		Lion / Lion
	6.4	Battery voltage, nominal capacity K <sub>5</sub>	V/Ah	Lion: 51.2 / 206 (277 option) / Lion: 51.2 / 206 (277 option)
	6.5	Battery weight	kg	Lion: 450 / Lion: 450
	Battery dimensions l/w/h	mm	980 x 538 x 670 / 980 x 668 x 670	
<b>Other Details</b>	8.1	Type of drive control		AC / AC
	8.2	Operating pressure for attachments	Mpa	17,5 / 17,5
	8.3	Oil volume for attachments	l/min	36 / 36
	8.4	Sound level at driver's ear according to EN 12 053	dB(A)	73 / 73

# ECB16-20Q Series 4 Wheel Models

## MAST TABLE

## CAPACITY TABLE (KG)

ECB16-20Q	Designation	Lift height	Free Lift height	Closed mast height	Extended mast height	Tilt forward/backward	With sideshift Super Elastic			
		h3	h2	h1	h4	$\alpha / \beta (^{\circ})$	C=500 mm		C=600 mm	
		mm	mm	mm	mm		ECB16Q	ECB20Q	ECB16Q	ECB20Q
Simplex		3300	110	2203	4282	6/10	1450	1850	1300	1660
		4000	110	2603	4982	6/6	1350	1800	1210	1483
Triplex		4300	1153	2103	5280	6/6	1250	1600	1120	1300
		4500	1203	2153	5480	6/6	1150	1500	1020	1210
		4800	1303	2253	5780	6/6	850	1200	750	930
		5000	1403	2353	5980	6/6	750	1100	666	840
		5500	1553	2503	6480	3/6	650	900	575	660
		6000	1753	2703	6980	3/6	550	800	485	575





# ECB25-35Q(L) Series

## 4 Wheel Models

### MAST TABLE

### CAPACITY TABLE (KG)

	Designation	Lift height	Free Lift height	Closed mast height	Extended mast height	Tilt forward/ backward	With sideshift Super Elastic	
		h3	h2	h1	h4	$\alpha / \beta$ (°)	C=500 mm	C=600 mm
		mm	mm	mm	mm			
ECB25Q	Simplex	3300	130	2205	4274	6/10	2350	2110
		4000	130	2605	4974	6/6	2300	2070
	Triplex	4000	1056	1980	4976	6/6	2200	1970
		4350	1181	2105	5326	6/6	2050	1840
		4500	1231	2155	5476	6/6	1850	1660
		4800	1331	2255	5776	6/6	1750	1570
		5000	1474	2398	5976	6/6	1550	1390
		5500	1708	2647	6476	3/6	1250	1110
6000	1941	2865	6976	3/6	800	710		
ECB30Q*	Simplex	3300	140	2225	4379	6/10	2800	2520
		4000	140	2625	5079	6/6	2750	2470
	Triplex	4000	921	2000	5079	6/6	2700	2430
		4350	1046	2125	5429	6/6	2500	2250
		4500	1096	2175	5579	6/6	2400	2150
		4800	1196	2275	5879	6/6	2200	1970
		5000	1339	2418	6079	6/6	2100	1880
		5500	1573	2652	6579	3/6	1600	1430
6000	1806	2885	7079	3/6	1200	1070		
ECB35Q*	Simplex	3300	145	2335	4379	6/10	3300	2970
		4000	145	2735	5079	6/6	3100	2790
	Triplex	4000	921	2000	5079	6/6	3050	2740
		4350	1046	2125	5429	6/6	2950	2750
		4500	1096	2175	5579	6/6	2800	2520
		4800	1196	2275	5879	6/6	2600	2340
		5000	1339	2418	6079	6/6	2450	2200
		5500	1573	2652	6579	3/6	2000	1790
6000	1806	2885	7079	3/6	1300	1160		
ECB35Q(L)**	Simplex	3300	145	2335	4379	6/10	3600	3300
		4000	145	2735	5079	6/6	3450	3100
	Triplex	4000	1021	2100	5079	6/6	3450	3050
		4350	1146	2225	5379	6/6	3350	2950
		4500	1196	2275	5579	6/6	3150	2800
		4800	1296	2375	5879	6/6	2900	2600
		5000	1439	2518	6079	6/6	2800	2450
		5500	1673	2752	6579	3/6	2300	2000
6000	1906	2985	7079	3/6	1700	1300		

**\*ECB30Q / ECB35Q**

Secondary full free lift height  
(without load backrest) +400 mm.

Three-stage full free lift height  
(without load backrest) +320 mm.

**\*\*ECB35Q(L)**

Secondary full free lift height  
(without load backrest) +300mm.

Three-stage full free lift height  
(without load backrest) +238mm.



# ECB16-20Q Series 4 Wheel Models



			L'M	L'M	
			<b>ECB16Q</b>	<b>EBC20Q</b>	
Identification	1.1	Manufacture (abbreviation)			
	1.2	Manufacturer's type designation			
	1.3	Drive: electric (battery or mains), diesel, petrol gas, manual)		Electric	
	1.4	Type of operation (hand, pedestrian, standing, seated, order-picker)		Seated	
	1.5	Load capacity / rated load	Q kg	1600	2000
	1.6	Load centre distance	c mm	500	500
	1.8	Load distance, centre of drive axle to fork	x mm	381	386
	1.9	Wheelbase	y mm	1410	1410
	Weights	2.1	Service weight incl. battery (see line 6.5)	kg	2900
2.2		Axle loading, laden front / rear	kg	3020 / 480	4670 / 530
2.3		Axle loading, unladen front / rear	kg	1220 / 1680	1400 / 1800
Wheels, Chassis	3.1	Type: solid rubber, superelastic, pneumatic, polyurethane		Super Elastic	Super Elastic
	3.2	Tyres size, front		6.50-10-10PR	6.50-10-10PR
	3.3	Tyres size, rear		5.00-8-10PR	5.00-8-10PR
	3.5	Wheels, number front / rear (x=driven wheels)		2x / 2	2x / 2
	3.6	Track width, front	b10 mm	970	970
	3.7	Track width, rear	b11 mm	920	920
	Basic Dimensions	4.1	Mast / fork carriage tilt forward / backward	$\alpha/\beta$ mm	6 / 10
4.2		Lowered mast height	h1 mm	2053	2053
4.3		Free lift	h2 mm	130	130
4.4		Lift height	h3 mm	3000	3000
4.5		Extended mast height	h4 mm	3982	3982
4.7		Overhead load guardheight	h6 mm	2150	2150
4.8		Seat height / standing height	h7 mm	1085	1085
4.12		Coupling height	h10 mm	460	460
4.19		Overall length	l1 mm	3045	3195
4.20		Length to face of forks	l2 mm	2125	2125
4.21		Overall width	b1 / b2 mm	1150	1150
4.22		Fork dimensions	s / e / l mm	35 / 100 / 920	40 / 100 / 1070
4.24		Fork carriage width	b3 mm	1040	1040
4.31		Ground clearance, laden, under mast	m1 mm	98	98
4.32		Ground clearance, centre of wheelbase	m2 mm	100	100
4.33	Aisle width for pallets 1000x1200 crossways	Ast mm	3501	3506	
4.34	Aisle width for pallets 800x1200 lengthways	Ast mm	3701	3706	
4.35	Turning radius	Wa mm	1920	1920	
Performance Data	5.1	Travel speed, laden / unladen	km/h	14 / 15	14 / 15
	5.2	Lift speed, laden / unladen	m/s	0.32 / 0.42	0.32 / 0.42
	5.3	Lowering speed, laden / unladen	m/s	0.52 / 0.42	0.52 / 0.42
	5.7	Max.Gradient performance, laden / unladen S <sub>2</sub> 5 min	%	15 / 20	15 / 20
	5.10	Service brake		Hydraulic	Hydraulic
E-Motor	6.1	Drive motor rating S <sub>2</sub> 60 min	kW	11	11
	6.2	Lift motor rating at S <sub>3</sub> 15%	kW	12	12
	6.3	Battery standard		Lion	Lion
	6.4	Battery voltage, nominal capacity K <sub>s</sub>	V/Ah	76.8 / 125 (206 option)	76.8 / 125 (206 option)
	6.5	Battery weight	kg	160 / 200	160 / 200
	6.6	Battery dimensions l/w/h	mm	720 / 490 / 615	720 / 490 / 615
Other Details	8.1	Type of drive control		AC	AC
	8.2	Operating pressure for attachments	Mpa	14,5	14,5
	8.3	Oil volume for attachments	l/min	30	30
	8.4	Sound level at driver's ear according to EN 12 053	dB(A)	72	72



# ECB25-35Q(L) Series 4 Wheel Models



			L'M	L'M	L'M	L'M	
			ECB25Q	ECB30Q	ECB35Q	ECB35QL	
Identification	1.1	Manufacture (abbreviation)					
	1.2	Manufacturer's type designation					
	1.3	Drive: electric (battery or mains), diesel, petrol gas, manual)		Electric	Electric	Electric	Electric
	1.4	Type of operation (hand, pedestrian, standing, seated, order-picker)		Seated	Seated	Seated	Seated
	1.5	Load capacity / rated load	Q kg	2500	3000	3500	3500
	1.6	Load centre distance	c mm	500	500	500	600
	1.8	Load distance,centre of drive axle to fork	x mm	473	478	483	483
	1.9	Wheelbase	y mm	1630	1700	1760	1760
	Weights	2.1	Service weight incl. battery (see line 6.5)	kg	3800	4280	4660
2.2		Axle loading ,laden front / rear	kg	5660 / 640	6530 / 750	7240 / 920	7810 / 880
2.3		Axle loading,unladen front / rear	kg	1620 / 2180	2060 / 2220	2040 / 2620	1880 / 3010
Wheels, Chassis	3.1	Type: solid rubber, superelastic, pneumatic, polyurethane		Super Elastic	Super Elastic	Super Elastic	Super Elastic
	3.2	Tyres size,front		7.00-12-12PR	28×9-15-14PR	28×9-15-14PR	28×9-15-14PR
	3.3	Tyres size,rear		18×7-8-14PR	6.50-10-10PR	6.50-10-10PR	6.50-10-10PR
	3.5	Wheels, number front/rear(x=driven wheels)		2× / 2	2× / 2	2× / 2	2× / 2
	3.6	Track width, front	b10 mm	973	1004	1004	1004
	3.7	Track width, rear	b11 mm	960	982	982	982
	Basic Dimensions	4.1	Mast/fork carriage tilt forward / backward	α/β mm	6 / 10	6 / 10	6 / 10
4.2		Lowered mast height	h1 mm	2070	2070	2185	2185
4.3		Free lift	h2 mm	135	140	145	145
4.4		Lift height	h3 mm	3000	3000	3000	3000
4.5		Extended mast height	h4 mm	3974	4079	4079	4079
4.7		Overhead load guardheight	h6 mm	2200	2200	2200	2200
4.8		Seat height / standing height	h7 mm	1090	1130	1130	1130
4.12		Coupling height	h10 mm	470	580	580	580
4.19		Overall length	l1 mm	3540	3688	3818	3818
4.20		Length to face of forks	l2 mm	2470	2618	2748	2748
4.21		Overall width	b1 / b2 mm	1150	1230	1230	1230
4.22		Fork dimensions	s/e/l mm	40 / 122 / 1070	45 / 125 / 1070	50 / 125 / 1070	50 / 125/1070
4.24		Fork carriage width	b3 mm	1040	1100	1100	1100
4.31		Ground clearance, laden, under mast	m1 mm	135	140	145	145
4.32		Ground clearance, centre of wheelbase	m2 mm	150	150	150	150
4.33	Aisle width for pallets 1000×1200 crossways	Ast mm	3903	4039	4153	4153	
4.34	Aisle width for pallets 800×1200 lengthways	Ast mm	4103	4238	4353	4353	
4.35	Turning radius	Wa mm	2230	2360	2470	2470	
Performance Data	5.1	Travel speed, laden / unladen	km/h	14 / 15	14 / 15	14 / 15	13 / 14
	5.2	Lift speed, laden / unladen	m/s	0.3 / 0.4	0.3 / 0.4	0.3 / 0.4	0.28 / 0.38
	5.3	Lowering speed, laden / unladen	m/s	<0.6	<0.6	<0.6	<0.6
	5.5	Max.Drawbar pull, laden / unladen	N	13000 / 14000	14000 / 15000	14000 / 15000	14000 / 15000
	5.7	Max.Gradient performance, laden / unladen	%	15 / 15	15 / 15	15 / 15	15 / 15
5.10	Service brake		Hydraulic	Hydraulic	Hydraulic	Hydraulic	
E-Motor	6.1	Drive motor rating S <sub>2</sub> 60 min	kW	16	16	16	16
	6.2	Lift motor rating at S <sub>3</sub> 15%	kW	16	16	16	16
	6.3	Battery standard		Lion	Lion	Lion	Lion
	6.4	Battery voltage, nominal capacity K <sub>5</sub>	V/Ah	76.8 / 206 (277 optional)	76.8 / 206 (277 optional)	76.8 / 277 (412 optional)	76.8 / 277 (412 optional)
	6.5	Battery weight	kg	200 / 240	200 / 240	200 / 240	200 / 240
	6.6	Battery dimensions l/w/h	mm	770 / 600 / 605	770 / 600 / 605	770 / 600 / 605	770 / 600 / 605
Other Details	8.1	Type of drive control		AC	AC	AC	AC
	8.2	Operating pressure for attachments	Mpa	17,5	17,5	17,5	17,5
	8.3	Oil volume for attachments	l/min	36	36	36	36
	8.4	Sound level at driver's ear according to EN 12 053	dB(A)	74	74	74	74



# BOOST YOUR EFFICIENCY WITH THE L'M LITHIUM ELECTRIC SERIES!

© 2025 MLE B.V. (registration no. 33274459). All rights reserved.

DISCLAIMER: Performance specifications can vary due to standard manufacturing tolerances, vehicle condition, tyre types, floor or surface conditions, applications, or operating environments. Trucks may be depicted with nonstandard options. For specific performance requirements and locally available configurations, please consult your distributor. We adhere to a policy of continuous product improvement, so some materials, options, and specifications may change without prior notice.